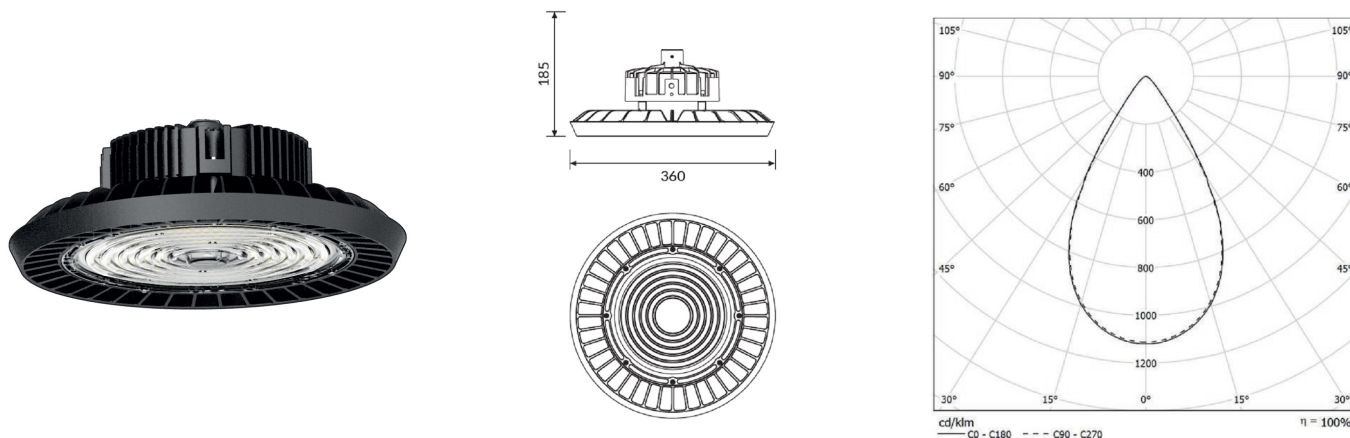


## ERGO ESSENTIAL LARGE

die-cast aluminum with epoxy powder coating. CRI>80. IP65 indoor.



CODE		FLUX	SIZE	CERTIFICATIONS
02PC200K4110LE	200W 110° - 4000K	30000	360Ø	  

**Ottica**  
Polycarbonate lens , emission 60°-110°

**Specifiche**  
color temperature: 3000K/4000K

CRI>80  
McAdams 3  
IK10  
Life Time: L80/B10 >50.000h  
5 years warranty  
Eye Safety: RG0/RG1 in accordance with con EN62471:2009  
temperature range: -30° / +45°

**Corpo**  
Manufactured from die-cast aluminum with epoxy powder coating.

**Riferimento Normativo**  
In compliance with the safety standards EN 60 598-1 and UNI EN 12464-1 (lighting for working places)

**Wiring**  
RE: Standard wiring is 230-240V/50-60Hz with power factor >0.97